

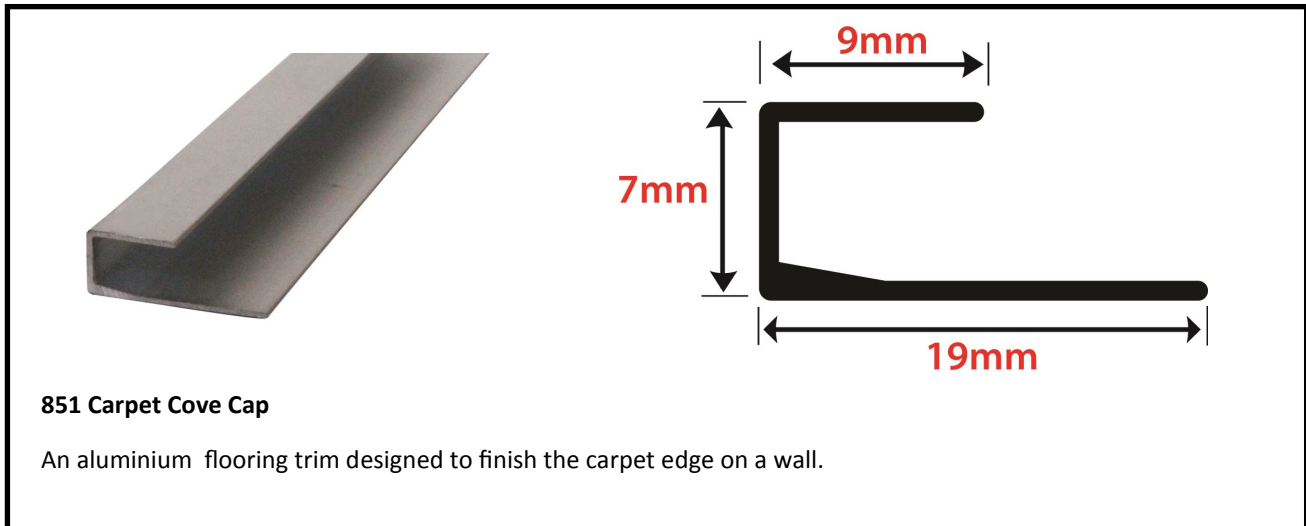


Gilt Edge Industries Ltd®

Customer Services
CHC : 03 379 7067 or AKL: 09 443 7067
Email: help@giltedge.co.nz

Technical & Sales Assistance
Email: sales@giltedge.co.nz
www.giltedge.co.nz

PRODUCT DATA SHEET



Product Attributes

Carpet Cove caps are used to provide a neat finish where carpet or carpet tile is continued up the wall.

Material: Aluminium Colour: Satin Silver Anodised Length: 2.44mtr

Specification

Manufacturer: Gilt Edge Industries 110 Antigua Street, Addington Christchurch 8240 P O Box 7515 Sydenham

Phone: 0800 445 833

Fax: 0800 103 649

Email: help@giltedge.co.nz

Reference Code : 436824415S

Installation

It should be ensured that all surfaces to which the profile is to be fixed are sound, dry, flat and free from any contaminants. Wall surfaces should be free from any previous coverings, linings or adhesive residues used to fix them. Paint films and any mould must be removed and the affected surface treated correctly.

Installation (cont)

- 1) Mark the position of the top of the carpet cap on the wall and strike a straight line between the two points using a chalk line.
- 2) Cut the profile to the sizes required and mitre cut internal and external corners with either a mitre block and hack
- 3) From the front of the profile, drill 4mmØ pilot holes through the fixing flange, 40mm in from each end and at centres of 300mm.
- 4) Apply one of the recommended adhesives (MS SAFE FIX) and follow the manufacturer's instructions for application.
- 5) Lining the top of the profile to the chalk line, place against the wall applying firm pressure along the profile's length.
- 6) Screw the profile to the wall using a no.6 screw (appropriate plug fixing may be required, suitable for accommodating the substrate) through the pre-drilled holes.
- 7) Ensure that any excess adhesive is removed in line with manufacturers instructions

Maintenance

A regular scheduled maintenance programme prevents build up of dirt and grease, which will reduce properties of and detract from the overall appearance of the product. Brush down the profiles using a soft bristled brush. With clean warm water, apply a small amount of a soap-less detergent to a wet green scotch pad and gently clean the surface of the profile along it's width with a fresh, clean water and dry with a dry lint free cloth.

13 November 2017